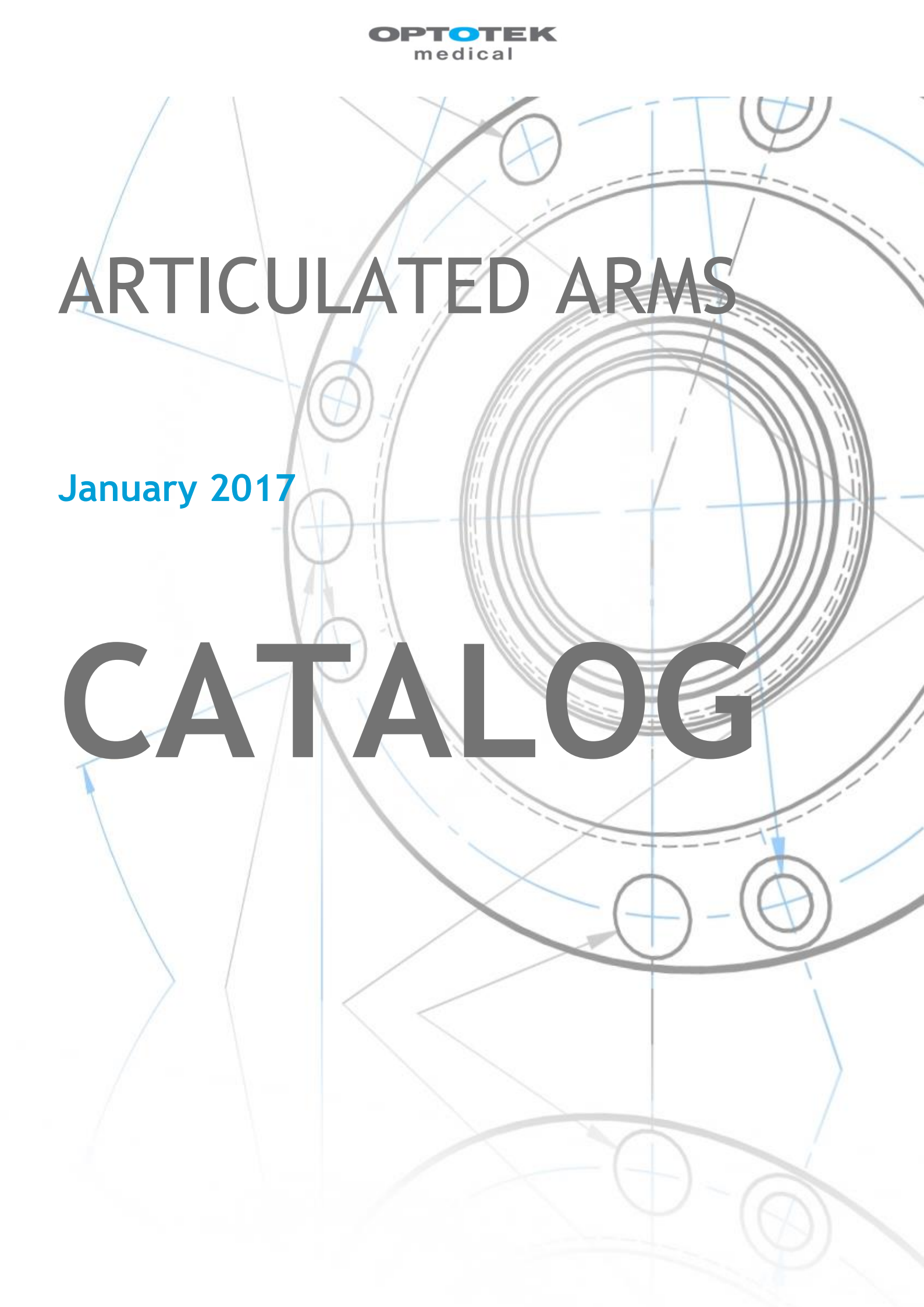


ARTICULATED ARMS

January 2017

CATALOG



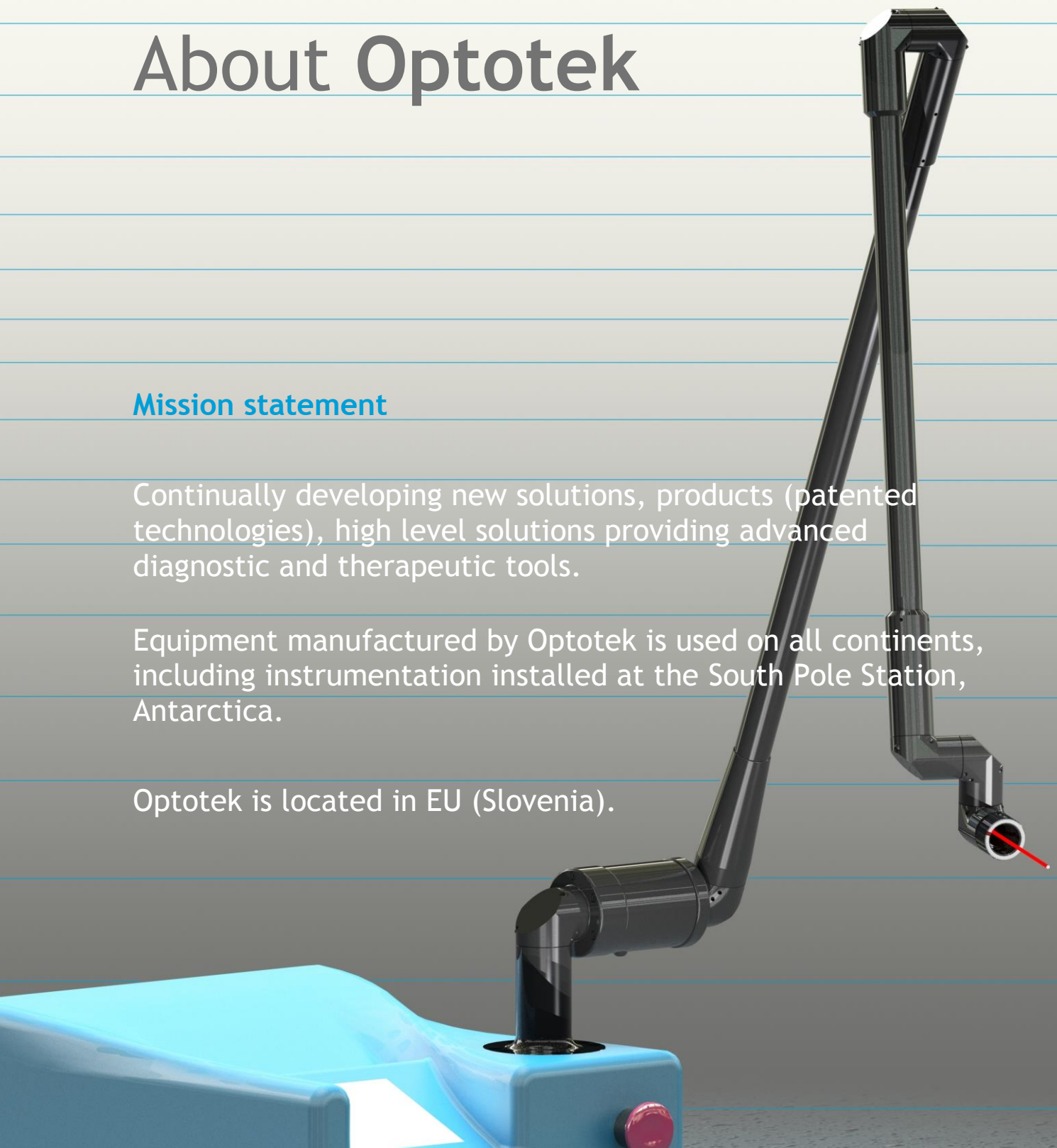
About Optotek

Mission statement

Continually developing new solutions, products (patented technologies), high level solutions providing advanced diagnostic and therapeutic tools.

Equipment manufactured by Optotek is used on all continents, including instrumentation installed at the South Pole Station, Antarctica.

Optotek is located in EU (Slovenia).



About Articulated Arms

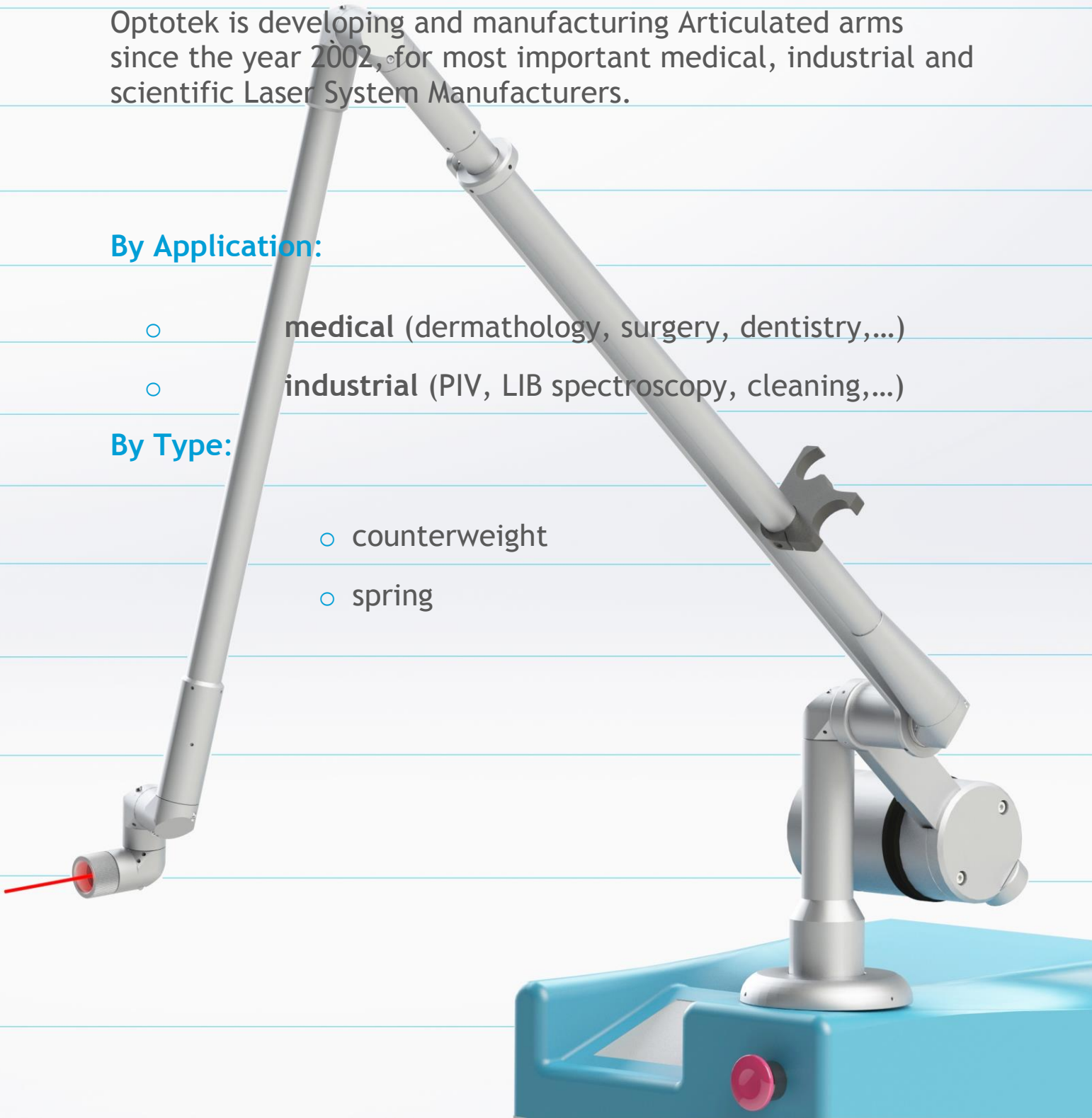
Optotek is developing and manufacturing Articulated arms since the year 2002, for most important medical, industrial and scientific Laser System Manufacturers.

By Application:

- medical (dermathology, surgery, dentistry,...)
- industrial (PIV, LIB spectroscopy, cleaning,...)

By Type:

- counterweight
- spring



- All arms are available as regular or sealed - various options available
- For different use in different environments and needs we offer custom made arms



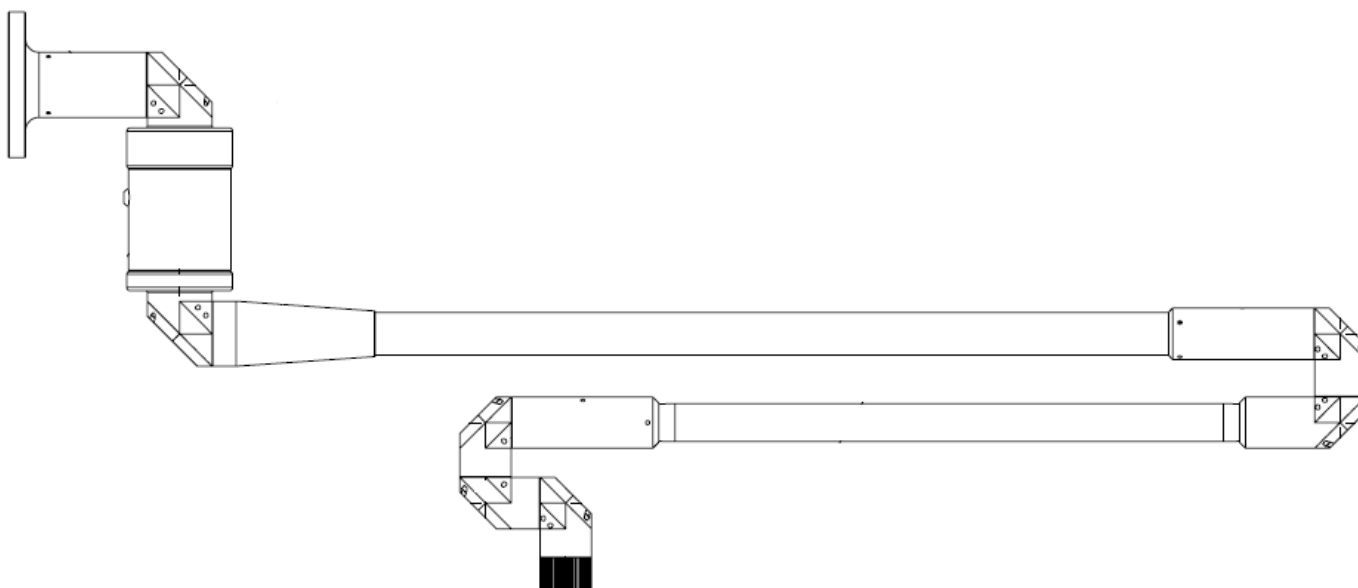
NEW SPRING ARTICULATED ARM, type 0206

KEY FEATURES

Counter balance type	Spring
Counter balance force	Adjusted in production
Total length of the arm	1.0 – 1.65 m
Aperture	16 mm
Optics	Bending mirrors: 7 pcs, 1 inch diameter, Focusing lens (optionally)
Material of tubes	Carbon fibers and Aluminium
Positional accuracy of exit beam	± 1.00 mm / 1 m
Angular accuracy of exit beam	± 1.00 mrad / 1 m
Surface protection	Standard RAL colors 9006 / 9011 (optionally any other RAL scale color)

KEY BENEFITS

- **Excellent alignment stability**
- Fits applicators (handpieces, scanners, etc.) of various weight
- **Affordable price**
- Simple design without support bar
- **Low weight**
- Beam combiner (optionally)
- Pointer (optionally)



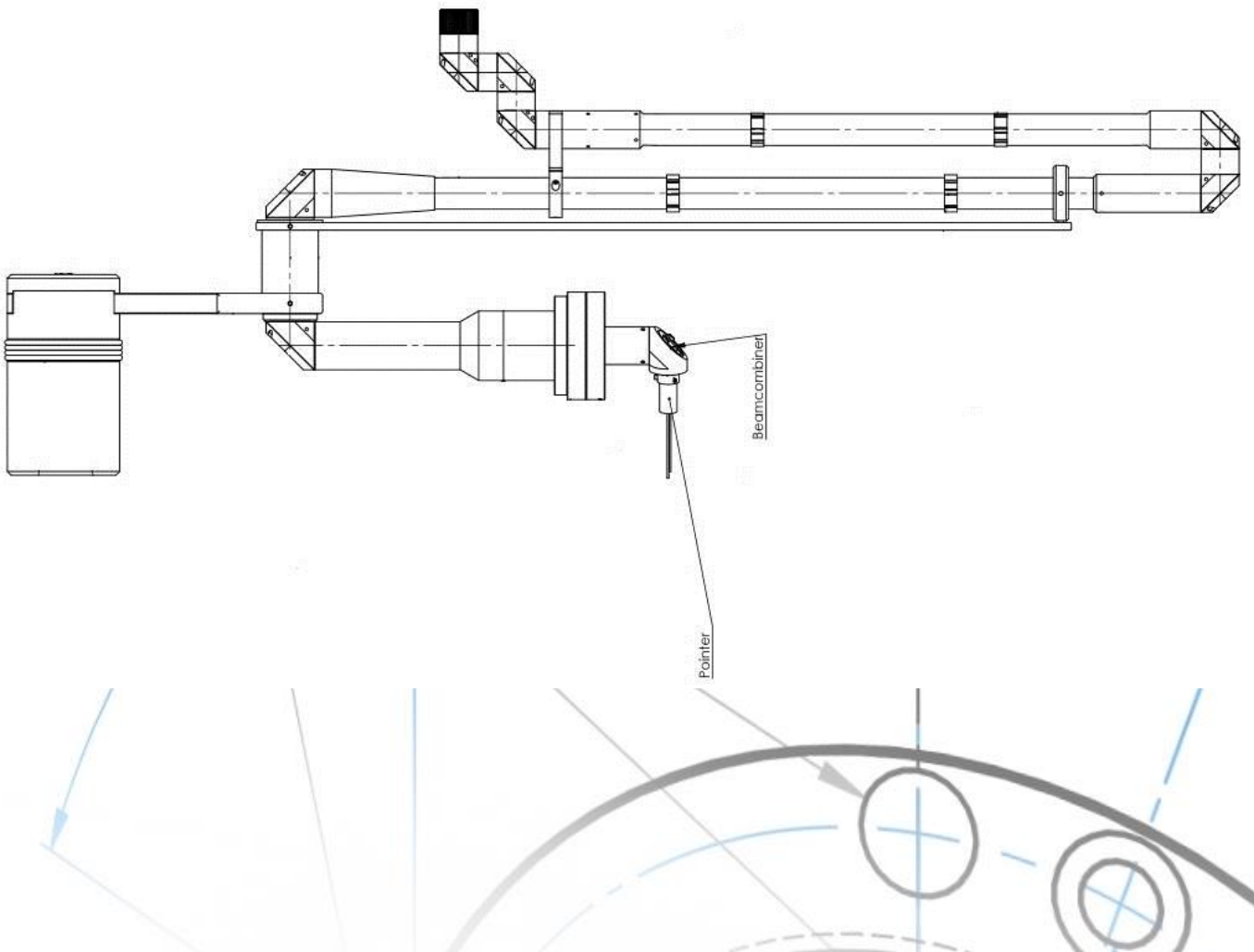
COUNTERWEIGHT ARTICULATED ARM, type 0609

KEY FEATURES

Counter balance type	Weight
Counter balance force	Continuously adjustable
Total length of the arm	1.810 m
Aperture	16 mm
Optics	Bending mirrors: 7 pcs, 1 inch diameter, Focusing lens (optionally)
Material of tubes	Aluminium
Positional accuracy of exit beam	± 1.00 mm / 1 m
Angular accuracy of exit beam	± 1.00 mrad / 1 m
Surface protection	RAL color 9006 (optionally any other RAL scale color)

KEY BENEFITS

- **Excellent alignment stability**
- Fits applicators (handpieces, scanners, etc.) of various weight
- **Adjustable weight with TWO positions (for various weight of scanners / handpieces, etc.)**
- Beam combiner (optionally)
- Pointer (optionally)



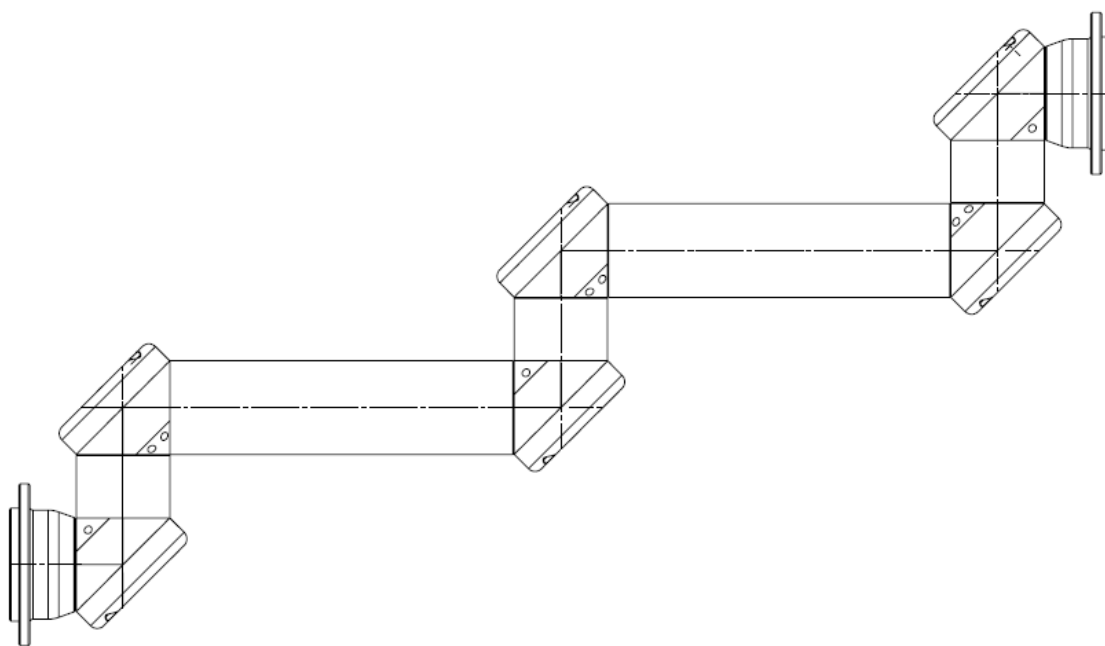
ARTICULATED ARM, type 0050

KEY FEATURES

Counter balance type	None
Counter balance force	/
Arm orientation	/ (flange on both sides)
Total length of the arm	0.50 m (optionally in different lengths)
Aperture	16 mm
Optics	Bending mirrors: 6 pcs, 1 inch diameter
Material of tubes	Aluminium
Positional accuracy of exit beam	$\pm 0.1 \text{ mm} / 1\text{m}$
Angular accuracy of exit beam	$\pm 0.50 \text{ mrad} / 1 \text{ m}$
Surface protection	Nature elox (optionally any other RAL scale colour)

KEY BENEFITS

- Unobtrusive design
- **Superb alignment stability**
- Compact design
- Low weight



Contacts

Sales

Miha Zaplotnik, tel: +38616204635, e-mail: zaplotnik@optotek.si

Technical support

David Žvab, tel: +38616204614, e-mail: zvab@optotek.si

